

# TRINOCULAR POLARIZING MICROSCOPE, REFLECT & TRANSMIT LIGHT (SLV-22POL Series)



## SLV-22POL Series Polarizing Microscope



**SLV-22POL-R**  
**Polarizing Microscope, Reflect**



**SLV-22POL-RT**  
**Polarizing Microscope**  
**Transmit & Reflect**



**SLV-22POL-T**  
**Polarizing Microscope, Transmit**



**WF10X/20MM for SLV-22POL-R/RT, WF10X/22mm for SLV-22POL-T**

**With Micrometer, With Position Pin For Joint Move**

**Retical Eyepiece WF10x/20mm, Dia.30mm With Micrometer X-0.1mm\*180 Div / Y-Single Line, Diopter Adjustable**

Joint Move Design: Specially For Polarizing Microscope, To Keep Right Side Eyepiece's Cross In View Field Keep Vertical Direction Even When Eyepiece Tube Turned.



## Large Size Head With Eyepiece Tube And Eyepiece Dia.30mm

**Super Wide Field Eyepiece SWF10x/22mm, Eyepiece Dia.30mm Dioptr Adjustable**

The Eyepiece Tube Has Fix Screw  
To Prevent Eyepiece Falling Damage During Move



Fixed E80:P20 (Optional)



E100:P0/E0:P100

### Trinocular Head Light Split Optional Between Switch E100:P0/E0:P100 & Fixed E80:P20

In Fixed Light Split, Eyepiece 80% : Photo 20% User Can View Image At Same Time In Both Path

In Switch Light Split, Eyepiece 100%:Photo 0% / Eyepiece 0%:Photo 100%, Camera Can Have 100% Light For Photo Capture.



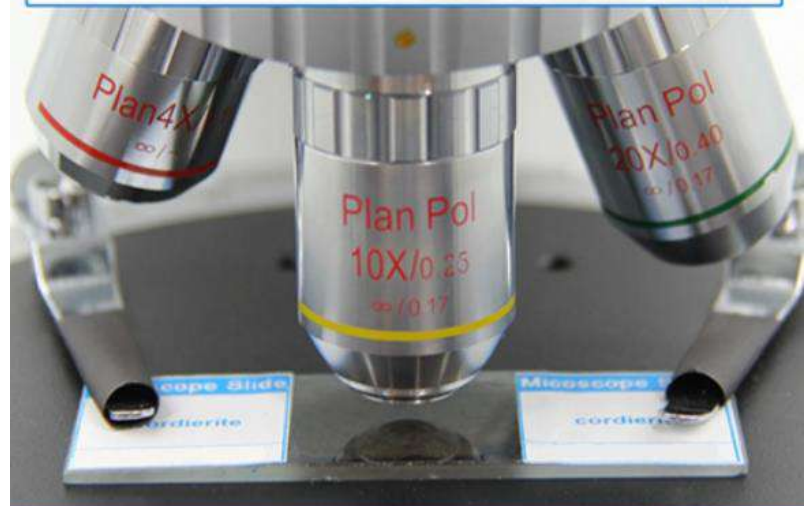
**Analyzer for SLV-22POL-T**



**Analyzer + Reflect Light 5W LED for SLV-22POL-R/RT**

**Analyzer Rotatable 360°, Module Type, Can Be Locked**

With Bertrand Lens Built-in Focus Adjustable, With Compensator Slide, Quartz Wedge Slide Slot



**Non-Stress LWD Infinity Plan Objective (Reflecting) for SLV-22POLR**

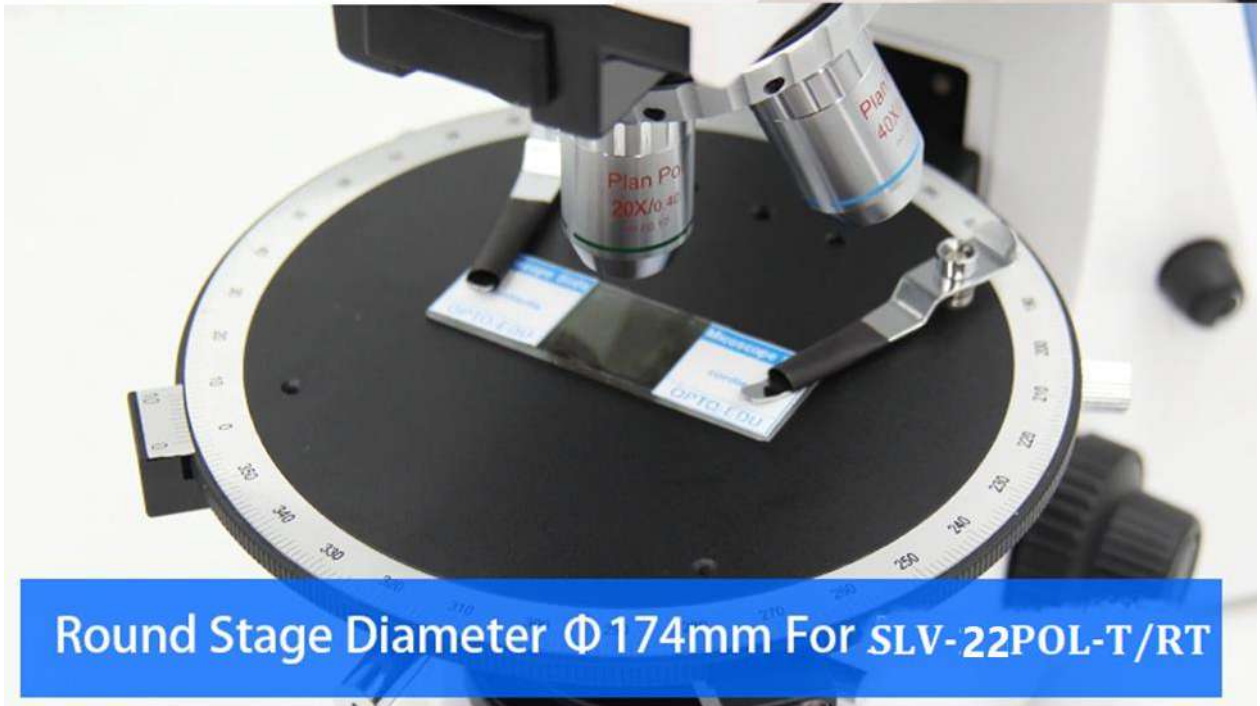
**Non-Stress Infinity Plan Objective (Transmitting) for SLV-22POL-T/RT**

**Large Size High Precision Centering Quintuple Nosepiece**, Non-Stress Infinity Plan Objective (Transmitting) 4x,10x,20x,40x Available

Remark: The Yellow Mark On Nosepiece Is Standard Position For 10x Objective, The Rest Objectives Should Be Mounted From High To Low Power In Clockwise Direction, As Above Picture Shown.



Round Stage Diameter  $\Phi$ 148mm For SLV-22POL-R



Round Stage Diameter  $\Phi$ 174mm For SLV-22POL-T/RT

Rotatable 360°, Division 1', Vernier, Division 6', Can Be Locked



Swing-out Condenser For SLV-22POL-T/RT, N.A.0.9/0.13  
With Polarizer Lens In Bottom, With Scale, Can Be Locked

### Swing-out Condenser, N.A.0.9/0.13, With Polarizer For SLV-22POL-T&RT

Lens In Bottom, With Scale, Can Be Locked.

Swing The Lens In To Get Excellent Image When Using High Power Objective To Make Observation



**Powered By Safety Low Voltage Charger, Input Wide Voltage 100V-240V, Output 5V1A, Support Power Bank Supply For Outdoor Use**

**3W LED Koehler Illumination, Field Diaphragm**

Powered By Safety Low Voltage Charger  
Input Wide Voltage 100V-240V, Output 5V1A, Support Power Bank Supply For Outdoor Use.

## Specification

Items	SLV-22POL Series Polarizing Microscope	SLV-22POL-T Transmit		SLV-22POL-R Reflect		SLV-22POL-RT Trans&Reflect	
		TB	TT	RB	RT	RTB	RTT
Head	Professional Polarizing Seidentopf Binocular Head, Inclined 30°, Rotatable 360°, Interpupillary Distance 48-76mm, Eyepiece Tube Dia.30mm, <b>Joint Move Design:</b> Speically For Polarzing Microscope, To Keep Right Side Eyepiece's Cross In View Field Keep Vertical Direction Even When Eyepiece Tube Turned	•		•		•	
	Professional Polarizing Seidentopf Trinocular Head, Inclined 30°, Rotatable 360°, Interpupillary Distance 48-76mm, Light Split Switch E100:P0/E20:P80, Eyepiece Tube Dia.30mm <b>Joint Move Design:</b> Speically For Polarzing Microscope, To Keep Right Side Eyepiece's Cross In View Field Keep Vertical Direction Even When Eyepiece Tube Turned		•		•		•
Eyepiece	WF10x/22mm, Dia.30mm, High Eyepoint, Diopter Adjustable	•	•				
	WF10x/22mm, Dia.30mm, With Micrometer X-0.1mm*180 Div / Y-Single Line, Diopter Adjustable, With Position Pin For <b>Joint Move</b>	•	•				
	WF10x/20mm, Dia.30mm, High Eyepoint, Diopter Adjustable			•	•	•	•
	WF10x/20mm, Dia.30mm, With Micrometer X-0.1mm*180 Div / Y-Single Line, Diopter Adjustable, With Position Pin For <b>Joint Move</b>			•	•	•	•
Nosepiece	Quintuple, Center Adjustable	•	•	•	•	•	•
Non-Stress Infinity Plan Objective (Transmitting)	PLAN 4x/0.10, W.D.=12.1mm	•	•			•	•
	PLAN 10x/0.25, W.D.=4.64mm	•	•			•	•
	PLAN 20x/0.40(S), W.D.=2.41mm	•	•			•	•
	PLAN 40x/0.66(S), W.D.=0.65mm	•	•			•	•
	PLAN 60x/0.8(S), W.D.=0.33mm						
	PLAN 100x/1.25(S,Oil), W.D.=0.12mm						
Non-Stress LWD Infinity Plan Objective (Reflecting)	LPL5x/0.13, W.D.=16.04mm			•	•	○	○
	LPL10x/0.25 W.D.=18.48mm			•	•	○	○
	LPL20x/0.40 W.D.=8.35mm			•	•	○	○
	LPL50x/0.70(S) W.D.=1.95mm			•	•	•	•
	LPL100x/0.90(S,Dry) W.D.=1.10mm			○	○	○	○
Working Stage	Round Stage Diameter Φ174mm, For <b>Transmit Light</b> , Rotatable 360°, Division 1', Vernier Division 6', Can Be Locked	•	•	○	○	•	•
	Round Stage Diameter Φ148mm, For <b>Reflect Light</b> , Rotatable 360°, Division 1', Vernier Division 6', Can Be Locked			•	•		
	Attachable Mechanical Stage For Polarizing Microscope, Moving Range 40x40mm	○	○	○	○	○	○
	Attachable Mechanical Stage For Polarizing Microscope, Moving Range 30x45mm, Lecia Type, Avoid Hitting Objective Lens	○	○	○	○	○	○
Condenser	Swing Out Condenser, N.A.0.9/0.13, With Polarizer Lens In Bottom, With Scale, Can Be Locked	•	•			•	•
Polarizing Unit	Analyzer Media Unit, Between Head And Body, Analyzer 0~360° Adjustable, Can Be Locked, With Bertrand Lens Built-in Focus Adjustable,	•	•	•	•	•	•
	Compensator Slide, With λ Slip (First Class Red)	•	•	•	•	•	•

	Compensator Slide, With $\lambda/4$ Slip	•	•	•	•	•	•
	Quartz Wedge Slide (I-IV Class)	•	•	•	•	•	•
	Quartz Wedge Slide (0-IV Class) Long Type	○	○	○	○	○	○
	Polarizer Lens, Built-in Bottom Part Of Condenser	•	•	•	•	•	•
Focusing	Coaxial Coarse & Fine Focusing, Coarse Focusing Travel Range: 22mm, Fine Focusing Div. 0.002mm	•	•	•	•	•	•
Illumination	<b>Transmit Light 5W LED</b> Koehler Illumination, <a href="#">Powered By Safety Low Voltage Charger, Input Wide Voltage 100V-240V, Output 5V1A, Support Power Bank Supply For Outdoor Use</a>	•	•			•	•
	<b>Transmit Light 6V30W Halogen</b> Koehler Illumination, Wide Voltage 100V~240V	○	○			○	○
	<b>Reflect Light 5W LED</b> Koehler Illumination, <a href="#">Powered By Safety Low Voltage Charger, Input Wide Voltage 100V-240V, Output 5V1A, Support Power Bank Supply For Outdoor Use</a>			•	•	•	•
	<b>Reflect Light 12V50W Halogen</b> Koehler Illumination, Wide Voltage 100V~240V			○	○	○	○
Field Diaphragm	For Kohler Illumination	•	•	•	•	•	•
Power	ECO, Auto Power Off System. Power Off Automatically Upon User Leaving 10 Minutes, Power On Automatically Upon User Approaching Detected, This Function Can Be Shut Down Manually	○	○			○	○
Filter	Dia.45mm, Blue	○	○	○	○	○	○
	Dia.45mm, Green	○	○	○	○	○	○
	Dia.45mm, Yellow	○	○	○	○	○	○
Adapter	C-Mount 0.5x, Focus Adjustable		○		○		○
	C-Mount 0.75x, Focus Adjustable		○		○		○
	C-Mount 1.0x, Focus Adjustable		○		○		○
	Digital Eyepiece Camera Adapter, Dia. 23.2mm/25mm		○		○		○
Package & Weight	Carton Size 520×470×285mm, 1 Unit/Ctn, Gross Weight: 12.5 kgs, Net Weight: 10.0 kgs						
	Carton Size 520×470×430mm, 1 Unit/Ctn, Gross Weight: 16.0 kgs, Net Weight: 12.5 kgs						
	Carton Size 520×470×430mm, 1 Unit/Ctn, Gross Weight: 15.0 kgs, Net Weight: 11.5 kgs						

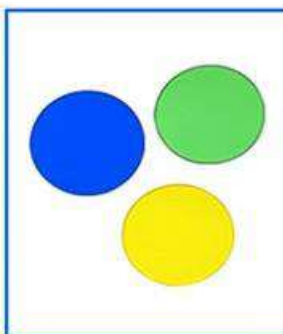
Note: "•" In Table Is Standard outfits, "○" Is Optional Accessories



**Quartz Wedge Slide (0-IV Class) Long Type**



**Field Diaphragm For Kohler Illumination**



**Filter: Dia.45mm Blue, Green, Yellow**



**Quintuple, Center Adjustable**

# Product Accessories



**Non-Stress Infinity Plan Objective (Transmitting)**



**Polarizing Microscope Transmit Polarizing Unit**



**C-Mount 0.5x  
Focus  
Adjustable**



**C-Mount 0.75x  
Focus  
Adjustable**



**C-Mount 1.0x  
Focus  
Adjustable**



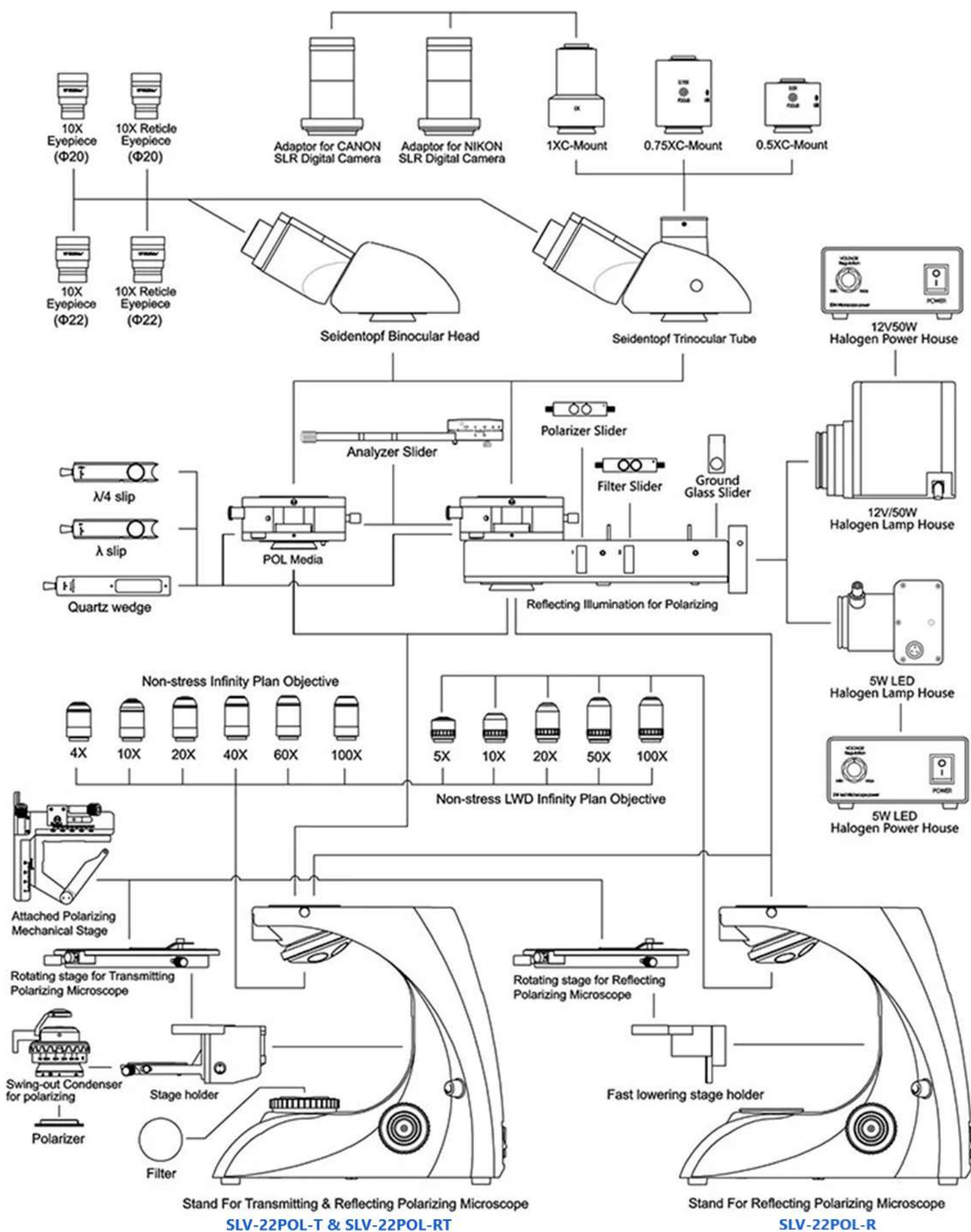
**Digital Eyepiece  
Camera Adapter  
Dia. 23.2mm/25mm**



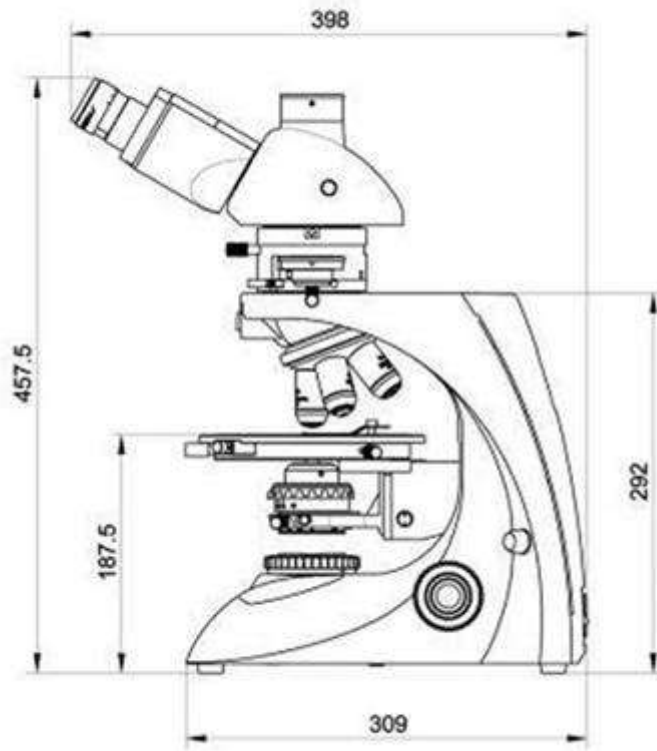
**Attachable Mechanical  
Stage, Lecia Type**



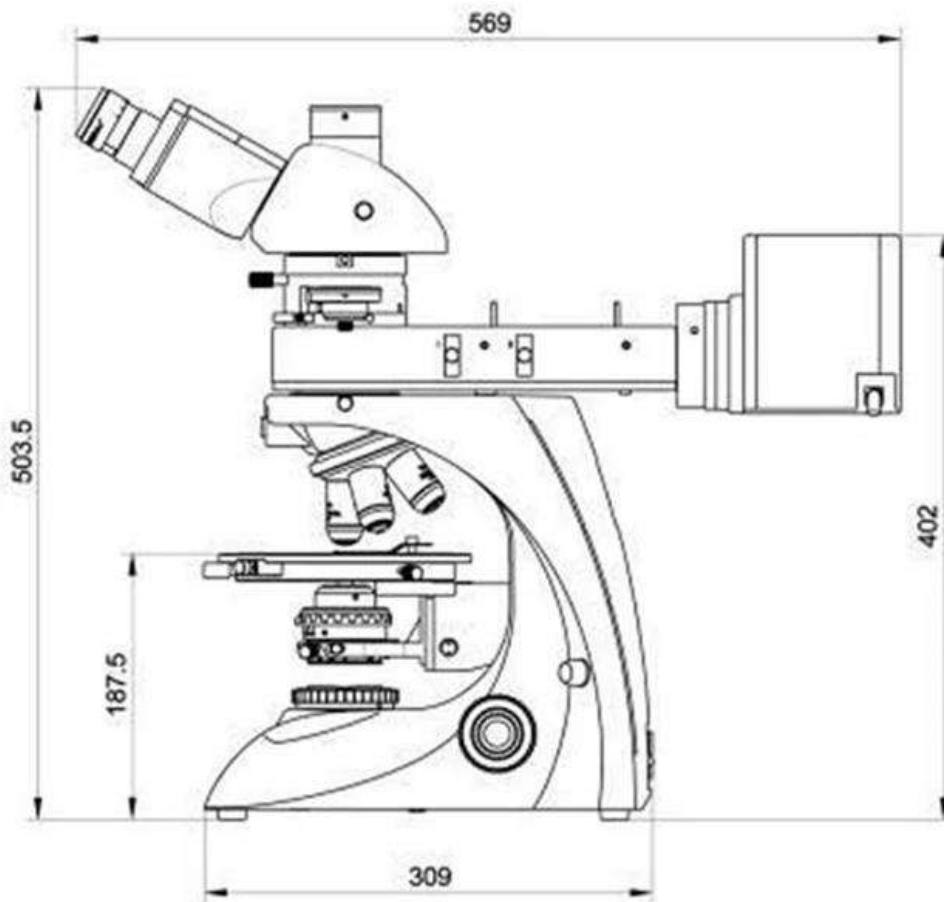
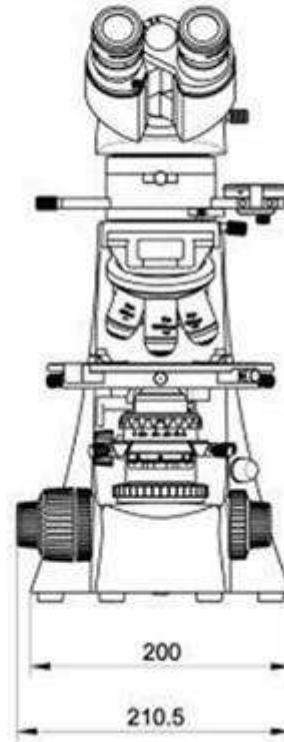
**Attachable Polarizing  
Mechanical Stage, Moving Range 40x40mm**



## Product Size(mm)



**SLV-22POL-T**



**SLV-22POL-R & RT**

